

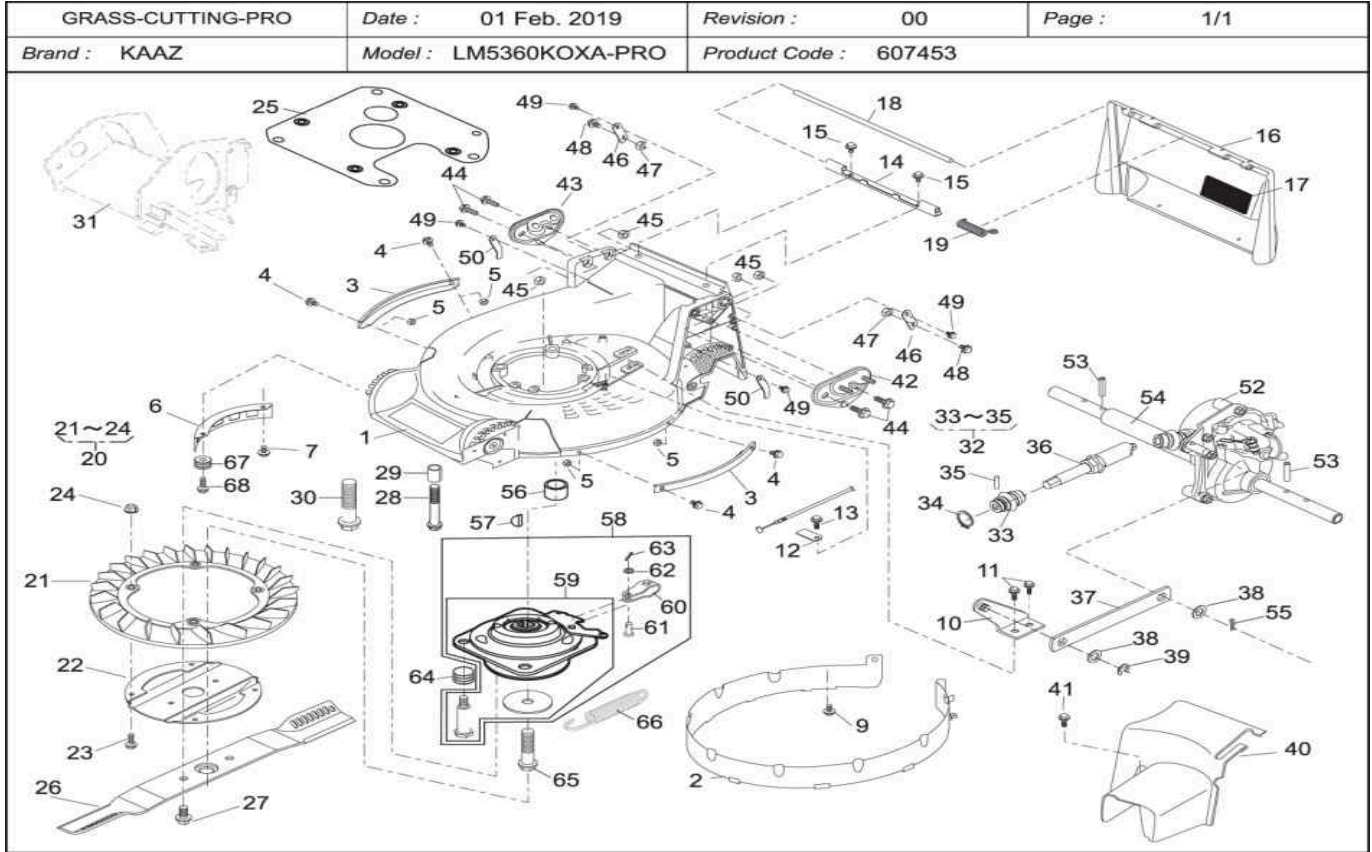
Select brand Product range Model name

Select model code ..Choose section

Indicate component part ...Choose section

Indicate engine model Choose. ...Choose section

※Enter information in the green box to narrow down the search and then click the "Search" button.

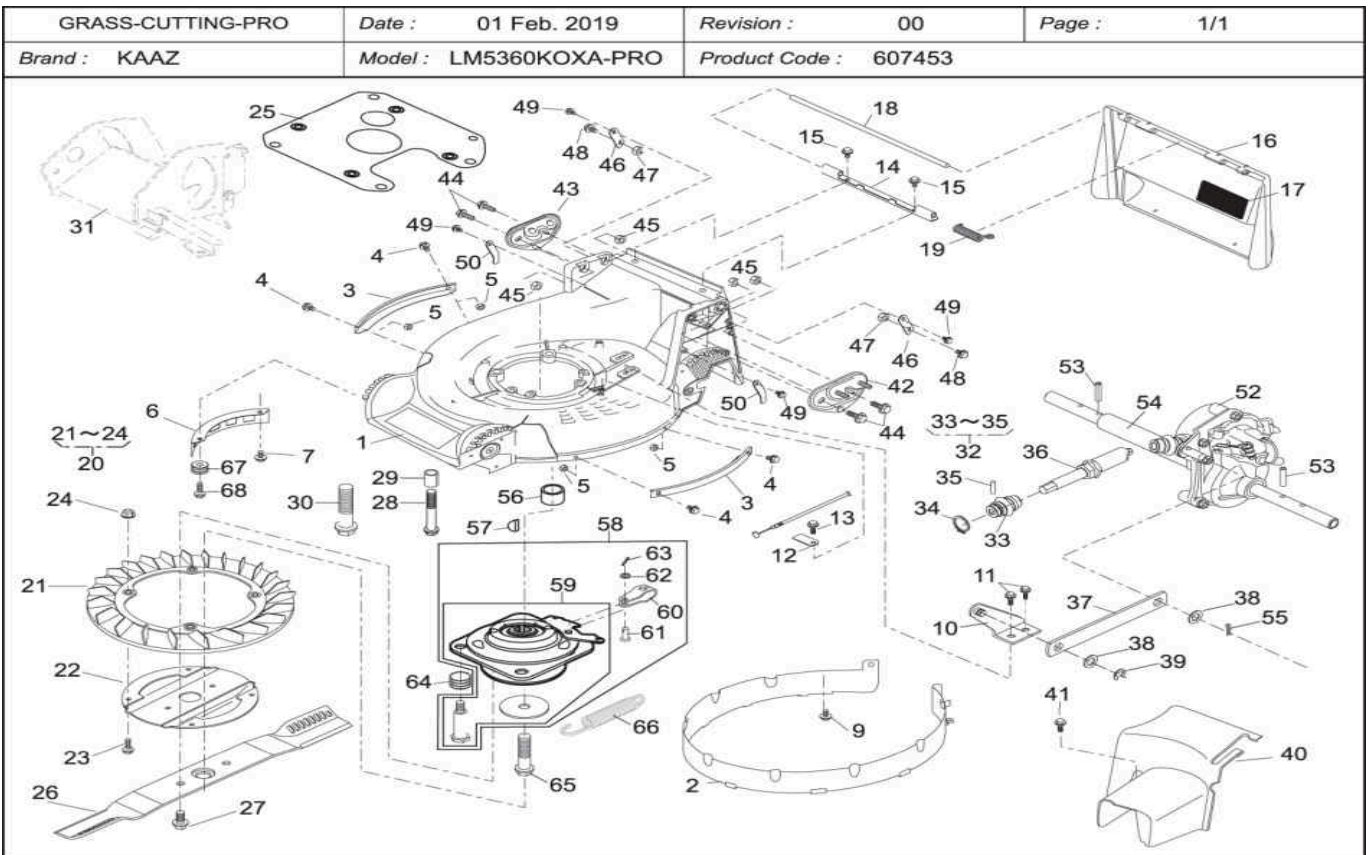


(A) LM5360KOXA-PRO

(B)
(C)

Ref.No	Parts.No	Parts.Name	(A)Q'ty	(B)Q'ty	(C)Q'ty	Remark
1	51043-151-42	HOUSING	1			
2	36068-204	GUARD	1			
3	51090-117-09	PROTECTOR	2			
4	335L0616	FLANGE BOLT	4			
5	512L0600	HEXAGON NUT	4			
6	36065-180	COVER	1			
7	342L0612	FLANGE TAPPING BOLT	1			
9	342L0612	FLANGE TAPPING BOLT	1			
10	11006-155	STAY C.P.	1			
11	342L0612	FLANGE TAPPING BOLT	2			
12	11113-407	STAY	1			
13	342L0612	FLANGE TAPPING BOLT	1			
14	11113-292	STAY	1			
15	342L0612	FLANGE TAPPING BOLT	2			
16	36068-196-46	GUARD	1			
17	36080-149	RUBBER SHEET	1			
18	64014-324	SHAFT	1			
19	68013-336	SPRING	1			
20	71082-111	FAN ASS Y	1			
21	51125-103	FAN	1			
22	11102-151	HOLDER	1			
23	31062-169	PRE-COAT LOCK BOLT	4			
24	579L0600	FLANGE NUT	4			
25	11137-141	BASE C.P.	1			
26	91014-204	BLADE	1			
27	335M1020	FLANGE BOLT	2			
28	335M0845	FLANGE BOLT	2			
29	61024-142	SPACER	1			
30	31057-344	BOLT	2			
32	91097-101	UNIVERSAL JOINT	1			

※Enter information in the green box to narrow down the search and then click the "Search" button.



(A) LM5360KOXA-PRO

(B)

(C)

34	812V2000	C-SNAP RING	1			
35	717B0418	PARALLEL PIN	1			
36	71235-102	TORQUE LIMITER	1			
37	91049-150	CONNECTOR	1			
38	68036-280	WASHER (10.5x18x1.6)	2			
39	816V0800	E-SNAP RING	1			
40	36065-438	COVER	1			
41	342L0616	FLANGE TAPPING BOLT	1			
42	51116-149	HANDLE BRACKET	1			
43	51116-150	HANDLE BRACKET	1			
44	31057-255	BOLT (M8x25)	4			
45	512L0800	HEXAGON NUT	4			
46	11113-408	STAY	2			
47	512L0800	HEXAGON NUT	2			
48	31057-181	BOLT	2			
49	342L0612	FLANGE TAPPING BOLT	4			
50	11113-415	STAY	2			
52	71008-472	GEAR CASE ASS Y	1			
53	711V0522	SPRING PIN	2			
54	11083-387	COLLAR	1			
55	733L1000	SNAP PIN	1			
56	61014-127	SHAFT COLLAR	1			
57	91020-161	KEY	1			
58	71067-121	BRAKE ASS Y	1			
59	71067-119	BRAKE ASS Y	1			
60	68055-151	JOINT	1			
61	31056-125	GIB-HEADED PIN	1			
62	68036-137	WASHER (6.5x10x0.8)	1			
63	726L0216	SPLIT PIN	1			
64	68013-320	SPRING	4			
65	31057-273	BOLT	1			
66	68013-355	SPRING	1			
67	11083-270	COLLAR	1			
68	342L0620	FLANGE TAPPING BOLT	1			

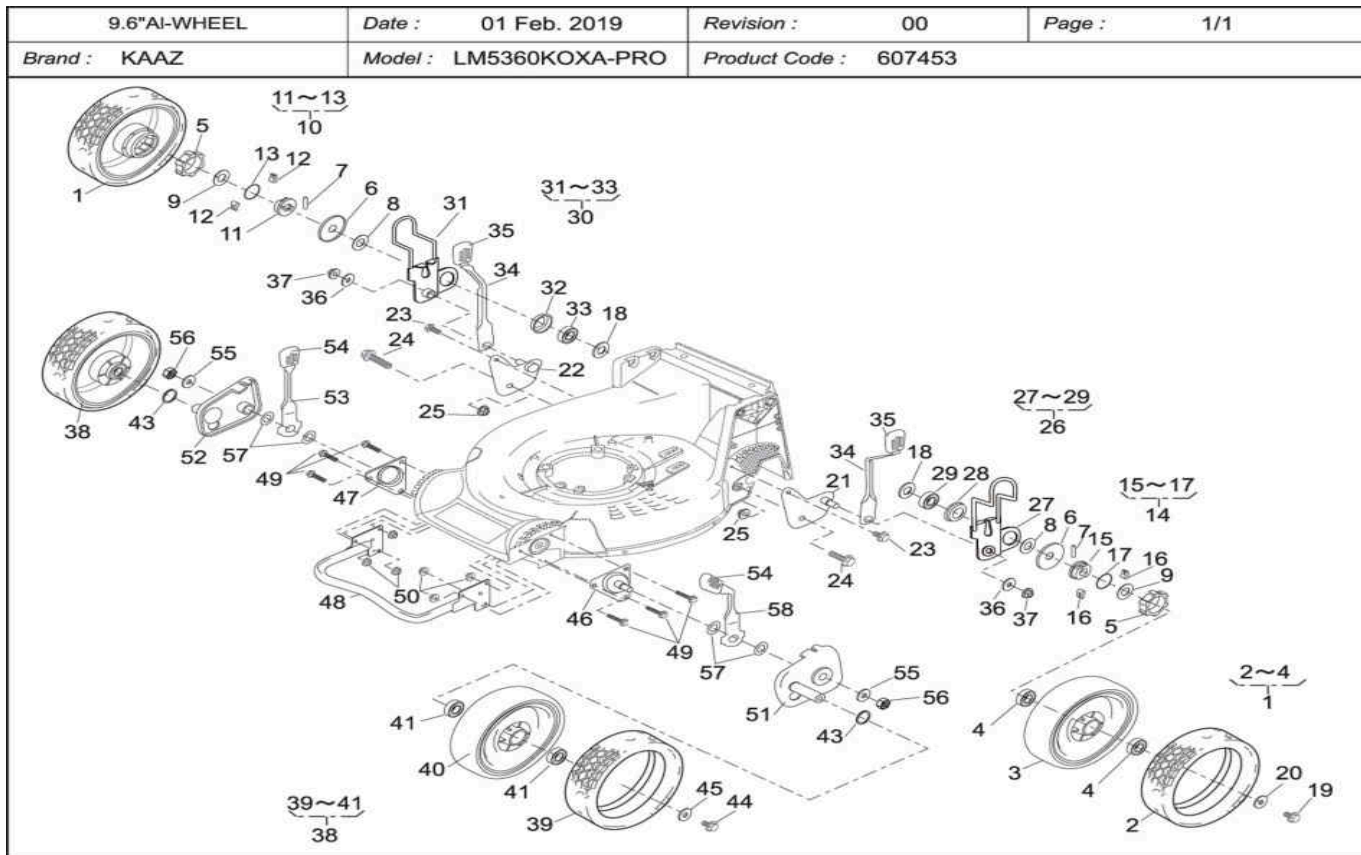
Select brand Product range Model name

Select model code ..Choose section

Indicate component part ...Choose section

Indicate engine model Choose. ...Choose section

※Enter information in the green box to narrow down the search and then click the "Search" button.



(A) LM5360KOXA-PRO

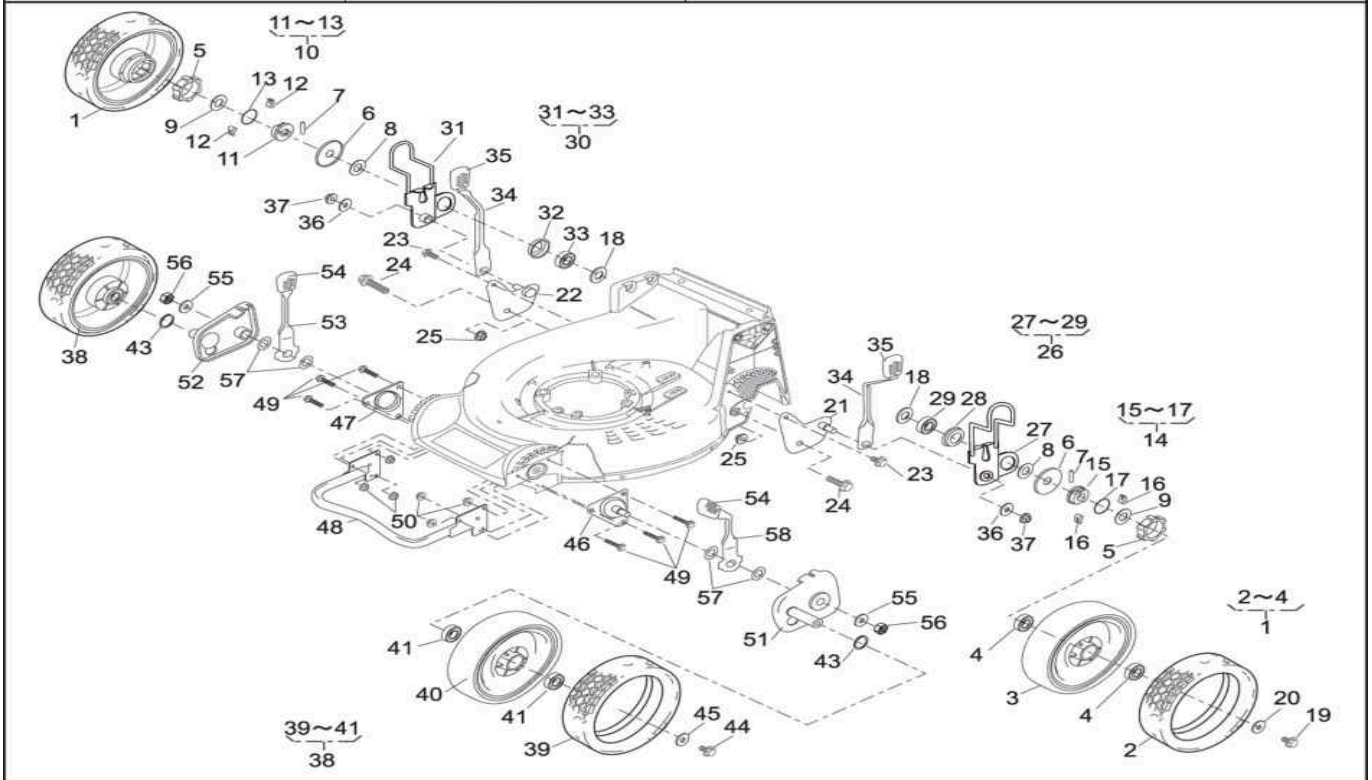
(B)

(C)

Ref.No	Parts.No	Parts.Name	(A)Q'ty	(B)Q'ty	(C)Q'ty	Remark
1	71041-144	WHEEL ASS Y	2			
2	91086-116	TIRE	2			
4	916B6002	BEARING (6002DDC3)	4			
5	11086-119	STOPPER	2			
6	61003-112	THRUST PLATE	2			
7	31034-137	PIN	2			
8	68036-270	WASHER (15.2x26x1.6)	2			
9	68036-146	WASHER (16x31.5x1.0)	2			
10	71158-104	RATCHET ASS Y	1			
11	11102-235	HOLDER	1			
12	31034-170	PIN	2			
13	68013-266	SPRING	1			
14	71158-103	RATCHET ASS Y	1			
15	11102-235	HOLDER	1			
16	31034-170	PIN	2			
17	68013-266	SPRING	1			
18	68036-275	WASHER (15.2x26x3.2)	2			
19	31057-181	BOLT	2			
20	68036-101	WASHER (9x25x2.3)	2			
21	11006-151	STAY C.P.	1			
22	11006-152	STAY C.P.	1			
23	342L0612	FLANGE TAPPING BOLT	2			
24	31057-255	BOLT (M8x25)	2			
25	584L0800	U-FLANGE NUT	2			
26	71122-110	ADJUSTER ASS Y	1			
27	11142-125	ADJUSTER	1			
28	11102-228	HOLDER	1			
29	916B6202	BEARING (6202DDC3)	1			
30	71122-111	ADJUSTER ASS Y	1			
31	11142-126	ADJUSTER	1			

※Enter information in the green box to narrow down the search and then click the "Search" button.

9.6"AI-WHEEL	Date : 01 Feb. 2019	Revision : 00	Page : 1/1
Brand : KAAZ	Model : LM5360KOXA-PRO	Product Code : 607453	



- (A) LM5360KOXA-PRO
- (B)
- (C)

32	11102-228	HOLDER	1			
33	916B6202	BEARING (6202DDC3)	1			
34	11150-105-09	ADJUST LEVER	2			
35	36061-121	KNOB	2			
36	613L0800	PLAIN WASHER	2			
37	569L0800	FLANGE NYLON NUT	2			
38	71041-145	WHEEL ASS Y	2			
39	91086-116	TIRE	2			
41	916B6002	BEARING (6002DDC3)	4			
43	51113-119	RING	2			
44	31057-181	BOLT	2			
45	68036-101	WASHER (9x25x2.3)	2			
46	11006-153	STAY C.P.	1			
47	11006-154	STAY C.P.	1			
48	11153-112-09	BUMPER	1			
49	335L0625	FLANGE BOLT	6			
50	569L0600	FLANGE NYLON NUT	6			
51	11142-127	ADJUSTER	1			
52	11142-128	ADJUSTER	1			
53	11150-109-09	ADJUST LEVER	1			
54	36061-121	KNOB	2			
55	68036-101	WASHER (9x25x2.3)	2			
56	31058-176	HEXAGON NUT	2			
57	68013-393	SPRING	4			
58	11150-119-09	ADJUST LEVER	1			

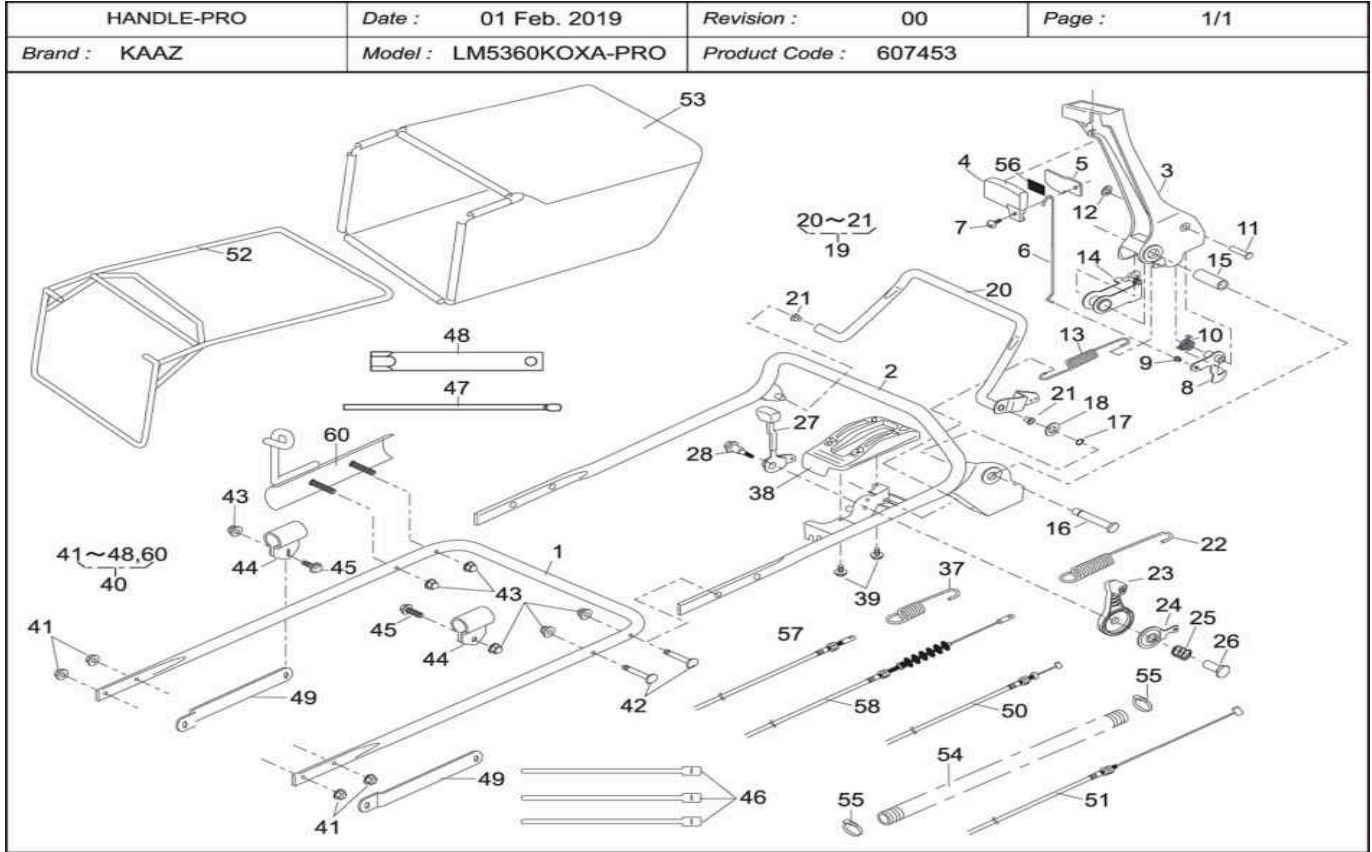
Select brand Product range Model name

Select model code ..Choose section

Indicate component part ...Choose section

Indicate engine model Search ...Choose section

※Enter information in the green box to narrow down the search and then click the "Search" button.



(A) LM5360KOXA-PRO

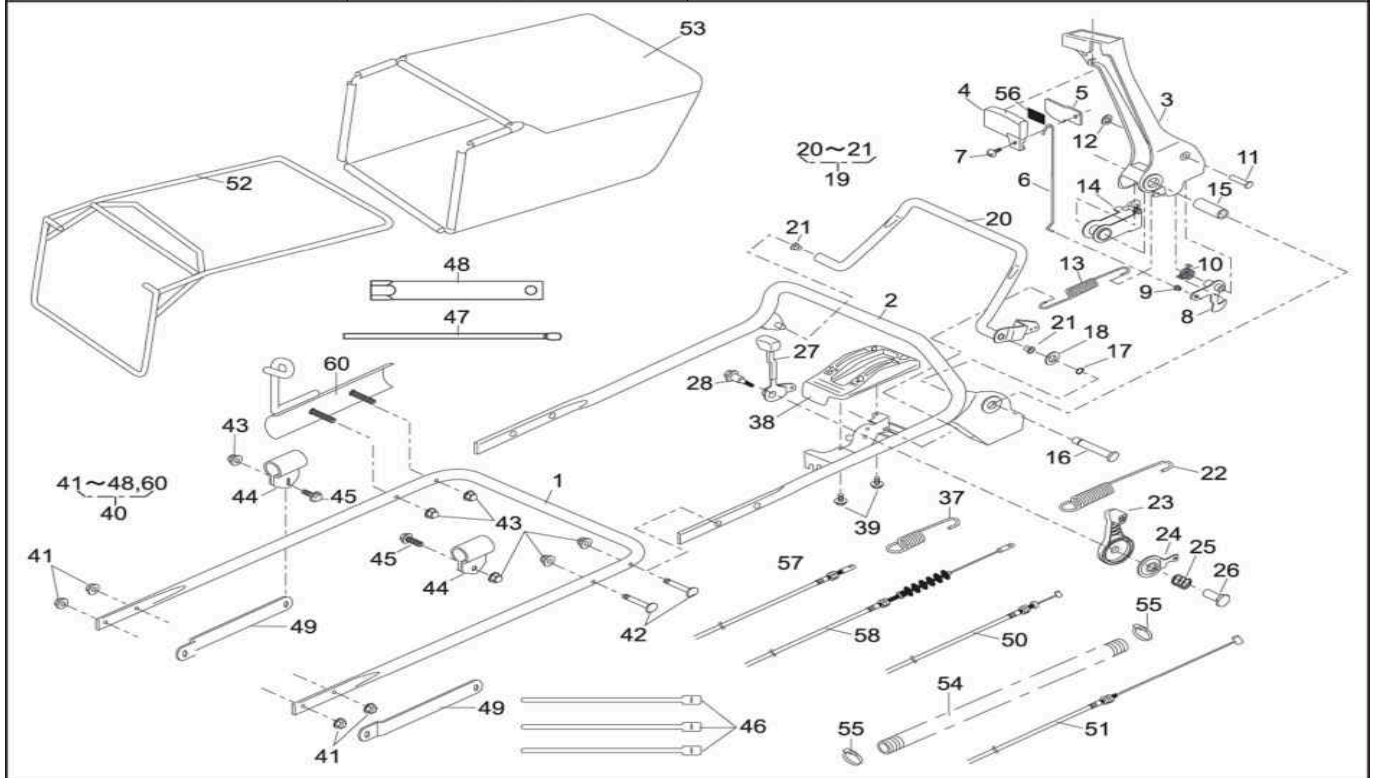
(B)

(C)

Ref.No	Parts.No	Parts.Name	(A)Q`ty	(B)Q`ty	(C)Q`ty	Remark
1	51027-268-103	HANDLE	1			
2	51027-269-103	HANDLE	1			
3	11095-172	LEVER	1			
4	36110-102	BUTTON	1			
5	11049-109	SLIDE PLATE	1			
6	64014-336	SHAFT	1			
7	376L0612	(+)TRUSS SCREW	1			
8	71203-135	ARM C.P.	1			
9	76007-183	BUSH	1			
10	68013-371	SPRING	1			
11	31056-127	GIB-HEADED PIN	1			
12	576V0600	PUSH NUT	1			
13	68013-392	SPRING	1			
14	11109-111	LINK	1			
15	61023-190	SLEEVE	1			
16	64014-337	SHAFT	1			
17	812V0800	C-SNAP RING	1			
18	613L0800	PLAIN WASHER	1			
19	71161-114-09	LEVER ASS Y	1			
21	76007-131	BUSH	2			
22	68013-391	SPRING	1			
23	91010-169	THROTTLE LEVER	1			
24	61003-113	THRUST PLATE	1			
25	68013-356	SPRING	1			
26	31058-168	HEXAGON NUT	1			
27	11095-117	LEVER	1			
28	31062-109	PRE-COAT LOCK BOLT	1			
37	68013-161	SPRING	1			
38	71900-796	COVER ASS Y	1			
39	470L0514	(+)TAPPING SCREW	2			

※Enter information in the green box to narrow down the search and then click the "Search" button.

HANDLE-PRO	Date : 01 Feb. 2019	Revision : 00	Page : 1/1
Brand : KAAZ	Model : LM5360KOXA-PRO	Product Code : 607453	



(A) LM5360KOXA-PRO

(B)

(C)

40	71906-198		1			
41	569L0800	FLANGE NYLON NUT	4			
42	31057-256	BOLT	2			
43	583L0800	FLANGE CAP NUT	6			
44	11012-132	HANGER BAND	2			
45	31057-181	BOLT	2			
46	68028-118	WIRE BAND (GT280)	3			
47	66008-103	PLUG BOX BAR (8x200)	1			
48	66006-133	BOX SPANNER	1			
49	71900-846	BAR SET	1			
50	91001-360	THROTTLE WIRE	1			
51	91003-168	CONTROL CABLE(BBC)	1			
52	11062-178	FRAME C.P.	1			
53	36098-177	GRASS BAG C.P.	1			
54	41003-201	TUBE (15.6x800L)	1			
55	68028-119	WIRE BAND (SHT18R-W)	2			
56	36080-156	RUBBER SHEET	1			
57	91003-125	CONTROL CABLE(SPEED)	1			
58	91003-189	CONTROL CABLE(DRIVE)	1			
60	71285-109	HOLDER C.P.	1			

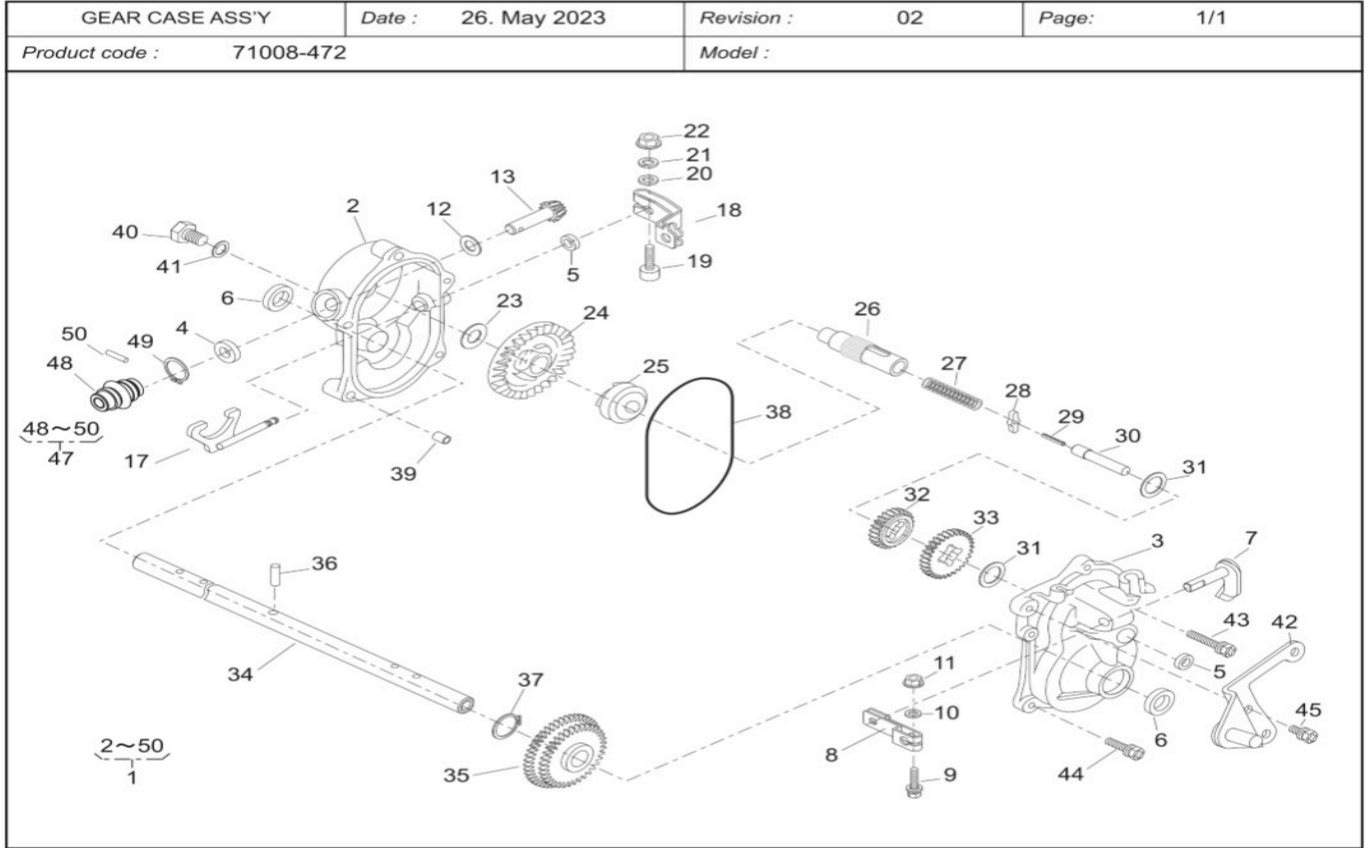
Select brand Product range Model name

Select model code ..Choose section

Indicate component part ...Choose section

Indicate engine model ...Choose section

※Enter information in the green box to narrow down the search and then click the "Search" button.

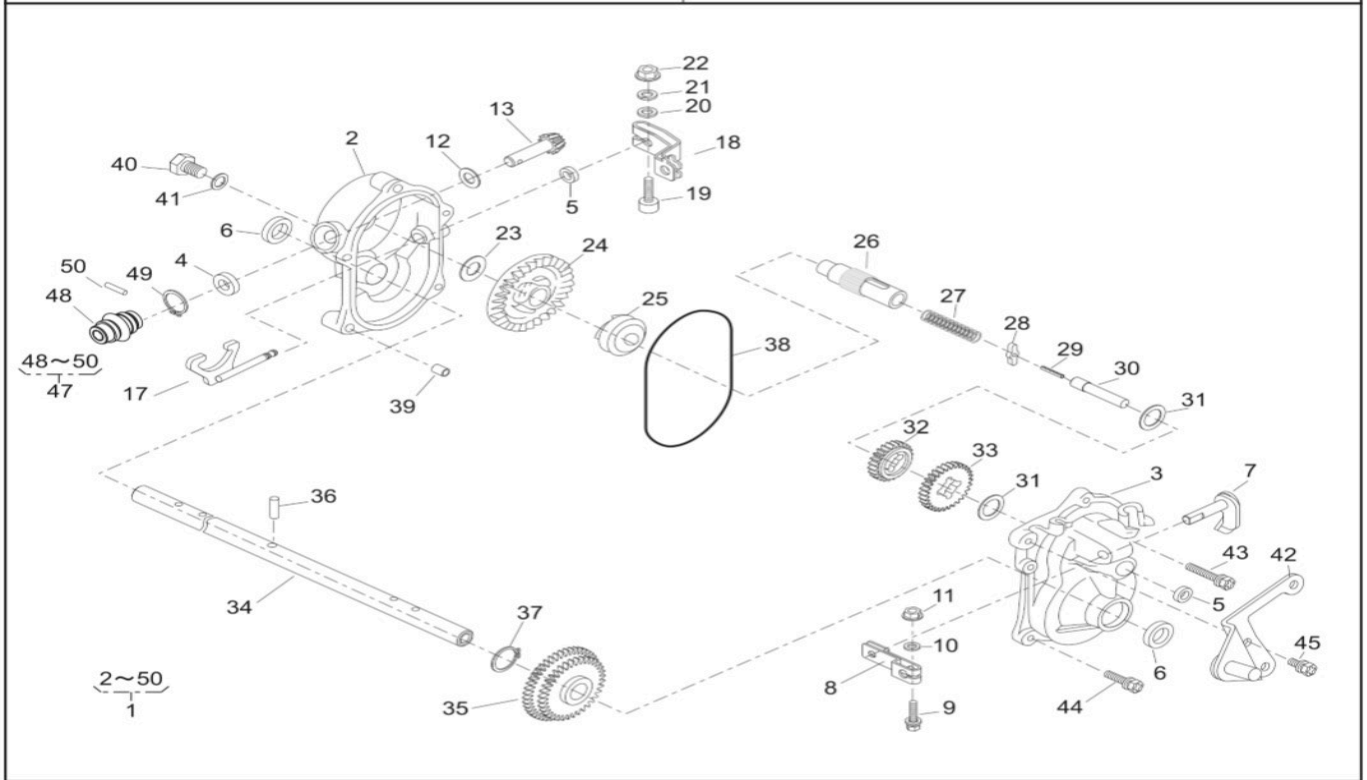


- (A)
- (B)
- (C)

Ref.No	Parts.No	Parts.Name	(A)Q'ty	(B)Q'ty	(C)Q'ty	Remark
1	71008-472	GEAR CASE ASS'Y	1			
2	51001-195	GEAR CASE	1			
3	51001-196	GEAR CASE	1			
4	61002-161	OIL SEAL (SD10205)	1			
5	61002-162	OIL SEAL (SD08144)	2			
6	61002-163	OIL SEAL (SD15245)	2			
7	64024-104	SHIFTER SHAFT	1			
8	11104-119	ARM	1			
9	320L0525	(+)HEX. BOLT(W/PW)	1			
10	611L0500	PLAIN WASHER	1			
11	571L0500	FLANGE NUT	1			
12	61003-109	THRUST PLATE	1			
13	78003-136	PINION	1			
17	11097-120	SHIFTER FORK	1			
18	11104-137	ARM	1			
19	419U0630	SOCKET SCREW	1			
20	611L0600	PLAIN WASHER	1			
21	661L0600	SPRING LOCK WASHER	1			
22	512L0600	HEXAGON NUT	1			
23	61003-122	THRUST PLATE	1			
24	78001-189	BEVEL GEAR	1			
25	11129-118	CLUTCH	1			
26	64014-236	SHAFT	1			
27	68013-262	SPRING	1			
28	31034-199	PIN	1			
29	736U0320	SPRING PIN	1			
30	64014-235	SHAFT	1			
31	61024-118	SPACER	2			
32	78004-156	GEAR	1			
33	78004-155	GEAR	1			

※Enter information in the green box to narrow down the search and then click the "Search" button.

GEAR CASE ASS'Y	Date : 26. May 2023	Revision : 02	Page: 1/1
Product code : 71008-472	Model :		



- (A)
- (B)
- (C)

34	64014-344	SHAFT	1			
35	78012-107	GEAR C.P.	1			
36	31034-150	PIN	1			
37	812V2200	C-SNAP RING	1			
38	214B11000	O-RING S110	1			
39	11083-201	COLLAR	2			
40	31057-262	BOLT	1			
41	68001-110	FIBER WASHER	1			
42	11006-191	STAY C.P.	1			
43	315L0625	HEX. BOLT(W/SW.PW)	3			
44	315L0635	HEX. BOLT(W/SW.PW)	2			
45	318L0612	(+)HEX. BOLT(W/SW)	1			
47	91097-101	UNIVERSAL JOINT	1			
49	812V2000	C-SNAP RING	1			
50	717B0418	PARALLEL PIN	1			

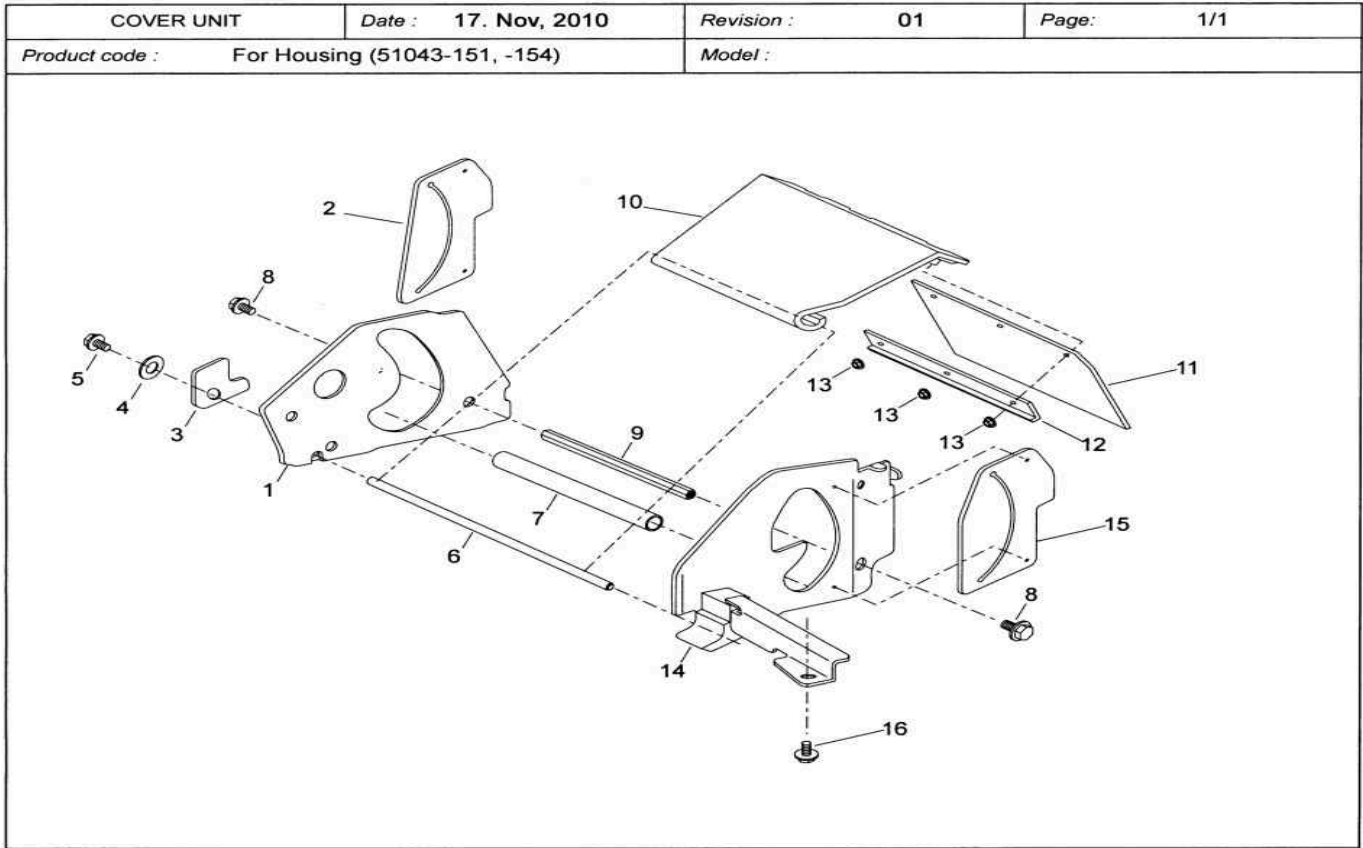
Select brand: Product range: Model name:

Select model code: ..Choose section:

Indicate component part: ...Choose section:

Indicate engine model: ...Choose section:

※Enter information in the green box to narrow down the search and then click the "Search" button.



(A) For Housing (51043-151.-154)

(B)

(C)

Ref.No	Parts.No	Parts.Name	(A)Q`ty	(B)Q`ty	(C)Q`ty	Remark
1	11006-166	STAY C.P.	1			
2	36080-154	RUBBER SHEET	1			
3	11113-420	STAY	1			
4	613L0800	PLAIN WASHER	1			
5	423U0812	SOCKET SCREW FLANGE	1			
6	64014-373	SHAFT	1			
7	11083-387	COLLAR	1			
8	31057-181	BOLT	2			
9	64014-374	SHAFT	1			
10	51079-124	COVER C.P.	1			
11	36080-153	RUBBER SHEET	1			
12	11050-182	FIXING PLATE	1			
13	569L0400	FLANGE NYLON NUT	3			
14	11006-167	STAY C.P.	1			
15	36080-155	RUBBER SHEET	1			
16	342L0612	FLANGE TAPPING BOLT	1			